

Because the only constant is...



Symphony

- The ultimate in flexibility
- Fully mobile table system
- «Add-a-leg» or «add-a-bench» features can transform from single to island configuration and vice versa
- Totally integrated quick disconnect plumbing and electrical services
- Available in Island and wall mount configurations
- Available with multiple upper shelving arrangements
- Easily configured to sitting or standing heights
- Convenient access to services

Allegro

- Highly adaptable cantilever system with full height adjustment of the work surfaces and upper shelving
- No support legs for unobstructed floor under the counter
- Designed to accommodate our **Opus** suspended cabinets, the **Allegro** system can also be used with floor mounted or mobile cabinets
- Available in Island and wall mount configurations
- Available with multiple upper shelving arrangements
- Easy access to center service chase



Concert

- Sleek and elegant design
- Sturdy and vibration resistant
- Available in sitting and standing height
- The support legs are recessed to allow for more flexible seating arrangements
- Available in Island and wall mount configurations
- Designed to accommodate our **Opus** suspended cabinets, the **Concert** system can also be used with floor mounted or mobile cabinets
- Available with multiple upper shelving arrangements
- Easy access to center service chase

Chorus

- Rigid design provides superior vibration resistance
- High load bearing design
- Cost effective
- Available in sitting or standing heights
- Available in wall mount and Island designs
- Designed to accommodate our **Opus** suspended cabinets, the **Chorus** system can also be used with floor mounted or mobile cabinets.
- Available with multiple upper shelving arrangements
- Easy access to center service chase



Bedcolab adaptable furniture systems

In these days of rapidly evolving science, laboratories face the growing challenge of adapting their space to the changing needs of their research. Bedcolab offers an extensive range of adaptable furniture systems from flexible bench type systems to fully mobile table units with integrated umbilical service connections.

Regardless of which architectural style you choose, the **Symphony**, **Allegro**, **Concert** and **Chorus** series can quickly and easily be reconfigured or relocated using simple hand tools. You can modify a work station or create a new one. You can add cabinets or a new shelving system in a matter of minutes. Adaptability that really works in a laboratory environment.

All Four systems can be configured as Island assemblies or wall core assemblies and can be fitted with either floor mounted casework, mobile cabinets or our **OPUS** suspended cabinets that are designed to slide laterally under the bench sections allowing the lab technician to personalize his or her space instantly.

The **Allegro**, **Concert** and **Chorus** systems offer rear mounted service chases with removable panels for convenient access to plumbing, electrical and other services. To create a designated lab space, our wall panel system can be used to provide ceiling to counter separation. Whatever technology throws your way, we have a solution to meet your needs.

Be ready for tomorrow with the right system today



All systems meet or exceed SEFA (Scientific Equipment & Furniture Association) requirements

Manufactured under our ISO 9001:2000 Quality Program

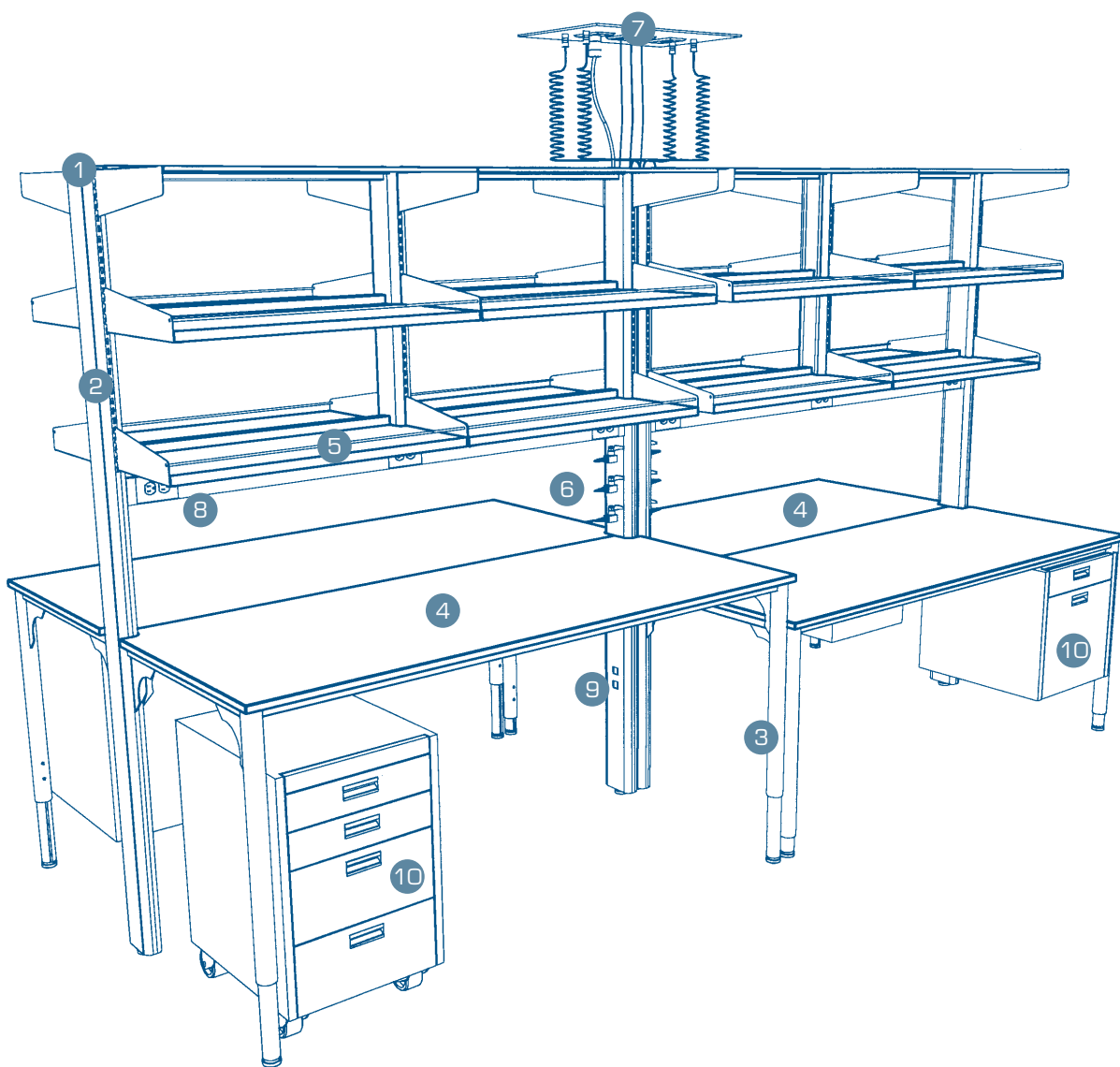


High value sustainable designs to meet environmental challenges of the laboratory industry

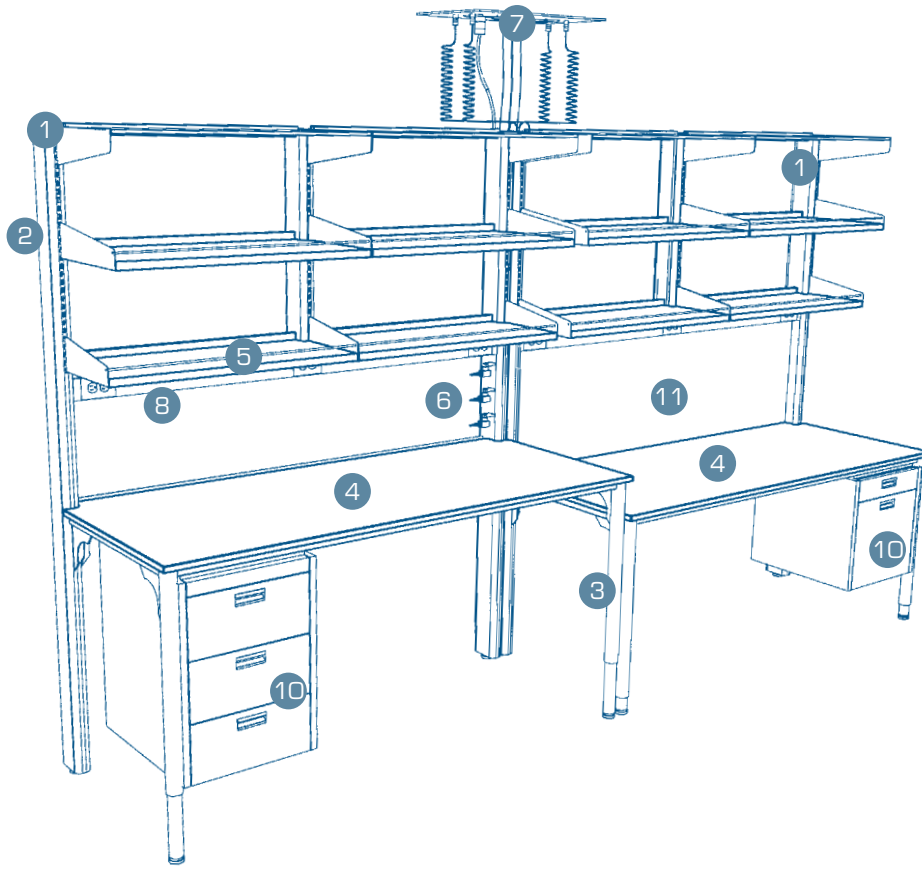
Symphony System

The **Symphony** modular bench system is the ultimate in adaptable laboratory furniture, offering a stable platform with the most complete mobility and flexibility to meet the challenges facing today's laboratories. In addition to easily adjustable work surface and shelving heights this stand-alone modular bench assembly can be conveniently converted from single units for wall type applications to double bench island configurations and vice versa.

The fully integrated gas, air and electrical services using quick connect fixtures mounted to flexible hoses allow you to quickly and economically reconfigure the layout of your lab at your convenience. Storage can be provided using our suspended **Opus** cabinets that slide laterally on rails, or with floor mounted casework or castered cabinets.



Island Type



Wall Type

Features

- 1 Center service structure

- 2 Service access panel

- 3 Table structure

- 4 Work surface

- 5 Adjustable shelving

- 6 Integrated plumbing services

- 7 Ceiling panel

- 8 Electrical raceway

- 9 Electrical leg outlet

- 10 Storage cabinet

- 11 Tack board

Characteristics

- Houses all services and shelving

- Easy access to services and table adjustments

- All welded structure with easy height adjustment

- Design to function with single or double tables and are available in many materials and finishes

- Adjustable in 1" increments and available in many materials and finishes

- Pre-plumbed plumbing outlets to a maximum of 3 per side

- Houses quick-disconnect fixtures for easy hook-up to all plumbing & electrical services using flexible cords and hoses

- Divided raceway for electrical and communication cabling pre-wired to connection to ceiling panel

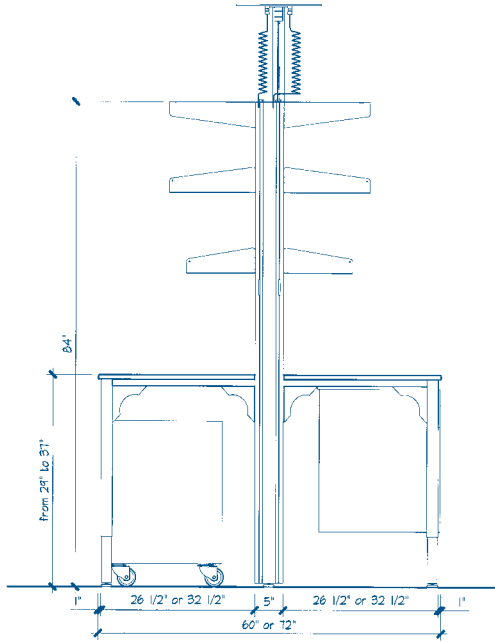
- Convenient located under work surface

- Designed to accommodate our **Opus** suspended cabinets, the **Allegro** system can also be used with floor mounted or mobile cabinets

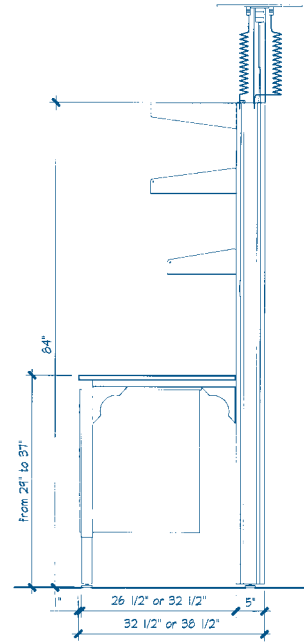
- Location permit use on both single and double sided tables

*Additional technical information is available on our CD Rom

Typical Cross Sections

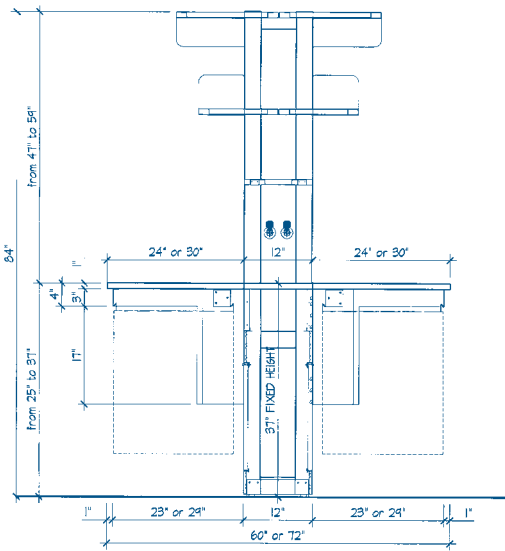


Island Type

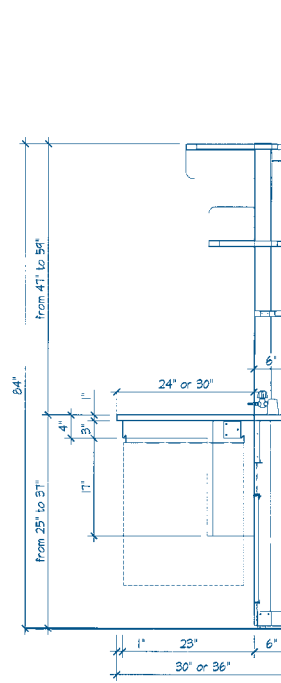


Wall Type

Symphony System



Island Type



Wall Type

Allegro System

Opus Suspended Storage cabinets

We offer an assortment of under-counter cabinets designed to work with all Bedcolab adaptable systems. These cabinets include front and rear support rails that are mated to the counter structure rails. The cabinets are securely suspended under counter top. The cabinets can easily be slide laterally to any desired position.

Suspended cabinets for standing height benches: 21" deep x 24^{3/4}" high



1 door unit

Model no.	Width	
	inches	mm
SB1-15	15	381
SB1-18	18	457
SB1-21	21	533
SB1-24	24	610



2 door unit

SB2-30	30	762
SB2-36	36	914
SB2-42	42	1067
SB2-48	48	1219



1 drawer - 1 door unit

SB4-15-1	15	381
SB4-18-1	18	457
SB4-21-1	21	533
SB4-24-1	24	610



2 drawer - 2 door unit

SB5-30-2	30	762
SB5-36-2	36	914
SB5-42-2	42	1067
SB5-48-2	48	1219



3 drawer unit

SB7-15-3	15	381
SB7-18-3	18	457
SB7-21-3	21	533
SB7-24-3	24	610



4 drawer unit

SB7-15-4	15	381
SB7-18-4	18	457
SB7-21-4	21	533
SB7-24-4	24	610



1 file drawer - 1 drawer unit

SB11-15-2	15	381
SB11-18-2	18	457
SB11-21-2	21	533
SB11-24-2	24	610



2 door sink unit

SB16-30	30	762
SB16-36	36	914
SB16-42	42	1067
SB16-48	48	1219

Suspended cabinets for Sitting height benches



2 door unit

SC1-15	15	381
SC1-18	18	457
SC1-21	21	533
SC1-24	24	610



1 file drawer - 1 drawer unit

SC11-15-2	15	381
SC11-18-2	18	457
SC11-21-2	21	533
SC11-24-2	24	610



3 drawer unit

SC7-15-3	15	381
SC7-18-3	18	457
SC7-21-3	21	533
SC7-24-3	24	610



2 door unit

SC2-30	30	762
SC2-36	36	914
SC2-42	42	1067
SC2-48	48	1219